

-  FINGERPRINT SENSOR
-  MOBILE ACCESS
-  PASSWORD
-  MANUAL KEY



STONEUK - ST-K2Plus

The ST-K2 Plus is an all-in-one smart lock featuring AI-powered RF fingerprint unlocking (<0.5s), password and TUYA Bluetooth app access, wiring-free installation, advanced anti-peep password protection, user management with one-time codes and logs, plus low-battery alerts with Type-C emergency charging for uninterrupted security.

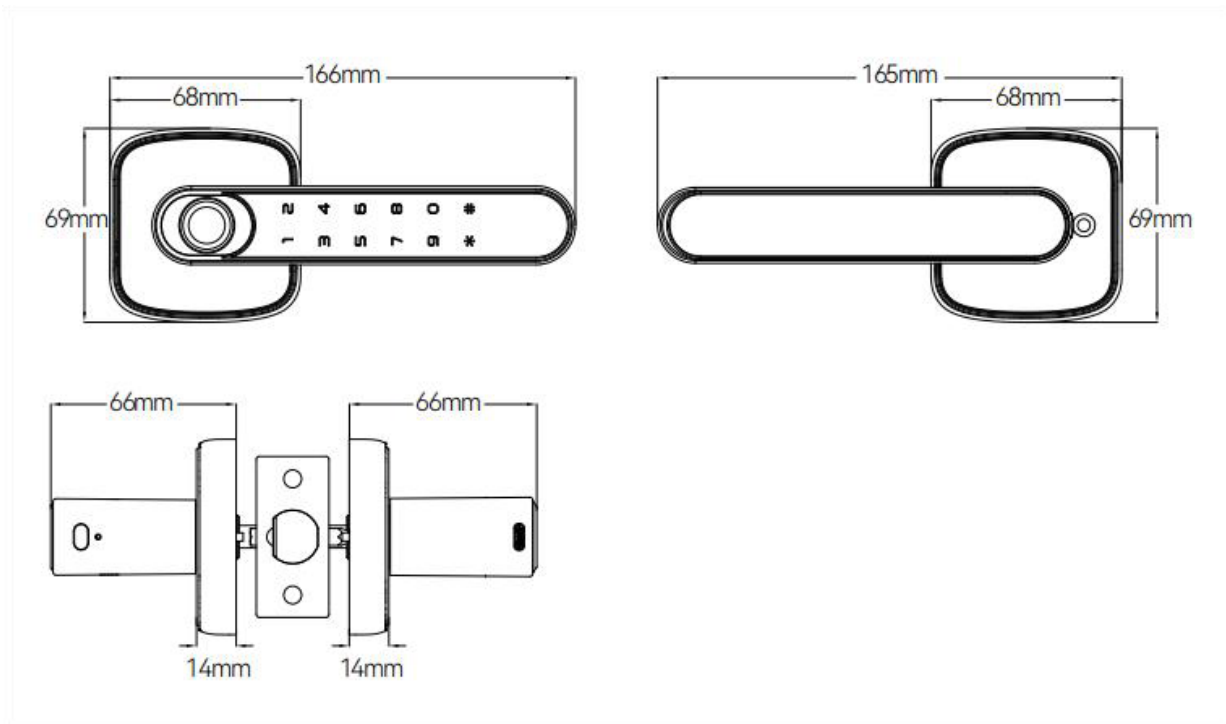
KEY FEATURES

- Multi access methods - RF semiconductor fingerprint, password, or TUYA Bluetooth app.
- AI-powered RF semiconductor fingerprint sensor with <0.5s fast unlocking.
- Wiring-free and drill-free design for quick and easy installation.
- Built-in TUYA Bluetooth connectivity to generate one-time passwords via the mobile app.
- Anti-peep password protection allowing random digits before or after the correct password.
- Low battery voice alerts with Type-C emergency charging to ensure uninterrupted access.
- Built with a robust aluminum alloy body for strength, durability, and reliability.

PRODUCT PARAMETERS

Appearance	Aluminum alloy, Color: Black
Unlocking Method	Fingerprint, Password, Mechanical keys, TUYA App Bluetooth
Hardware Parameters	4 AAA batteries, Emergency power supply Type C, Number of users: User Capacity:20 Groups (1PCS Admin + 19PCS Normal)
Structural Function	Grade A+C Lock cylinder Anti-lock Knob
Lock Body(Mortise)	Mechanical J5085
Other Functions	English voice prompt Multiple error alarms Low battery alarm Virtual password protection Silent mode Keep-unlocking mode

DIMENSION



Get in Touch >

+44 2080 773081

info@thestoneuk.com

www.thestoneuk.com