



STONEUK - ST-D280TT

The ST-D280TT is a state-of-the-art smart lock designed to deliver secure and flexible access control for residential and commercial use. With multiple access methods, including fingerprint recognition, IC card, numeric password, and mobile app control via Bluetooth and Wi-Fi, this smart lock is ideal for modern smart living. Using an optional Wi-Fi gateway, users can lock/unlock the door from anywhere in the world, receive real-time alerts, and manage access remotely. It also supports temporary passwords, which can be generated via the app and shared remotely over Bluetooth—no Wi-Fi required—making it perfect for guests or short-term access.

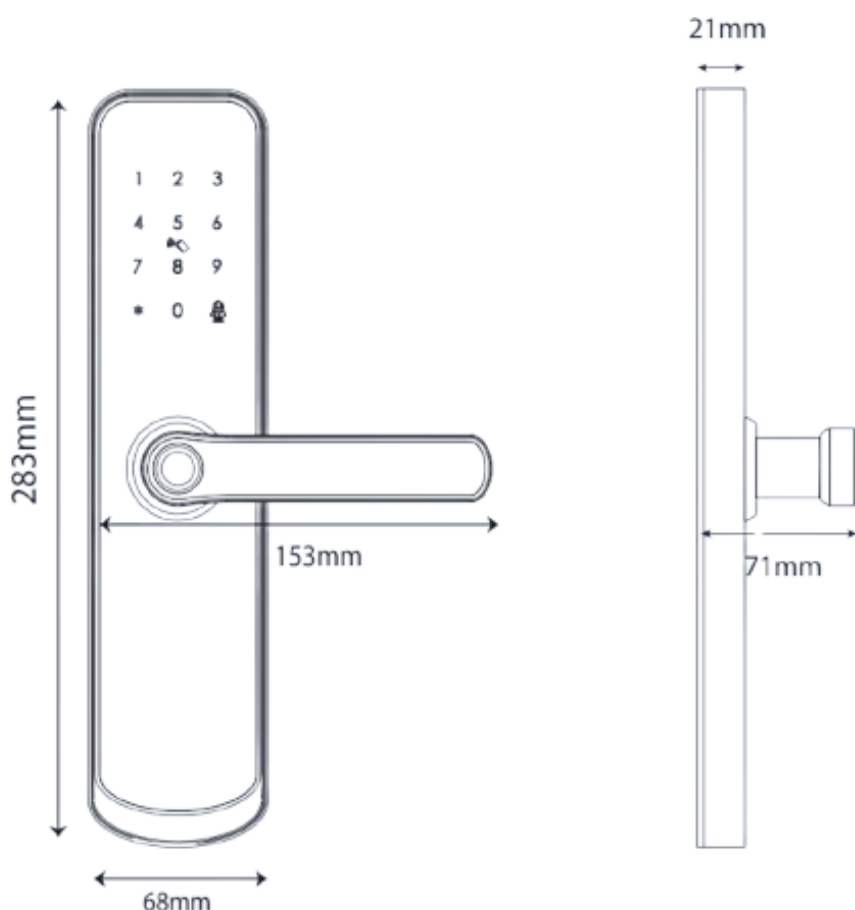
KEY FEATURES

- Multi access with Fingerprint, Password, IC Card, Mechanical Key, and Mobile Access.
- Enables remote unlocking, and real-time access control directly from your smartphone
- Temporary password setup remotely
- Micro Type-C port for emergency power backup
- Supported on iOS & Android (TT-Lock)
- App Features : Lock/Unlock, Access Logs, Temporary Code Sharing, Battery Status

PRODUCT PARAMETERS

Material	Aluminum Alloy
Unlocking Method	Fingerprint Password IC card Mechanical keys Mobile App
Power source	4 × AA Alkaline battery
Mortise	Euro Mortise 6085
Lifecycle	300,000 Lifecycle Test
Card Type	13.56 MHz Mifare Card
IP RATING	IP5X (Dust And Splash Proof)
User Capacity	150 Users

DIMENSION



Get in Touch 

+44 2080 773081

info@thestoneuk.com

www.thestoneuk.com