

STONEUK - ST-2805U

The Stoneuk ST-2805U is a specially designed U bracket ideal for mounting 280 kg electromagnetic locks on frameless glass doors. Constructed from high-strength aluminum with a sandblast finish, it ensures a secure, professional installation while maintaining a sleek appearance. This bracket is the perfect solution for modern glass door access control setups.

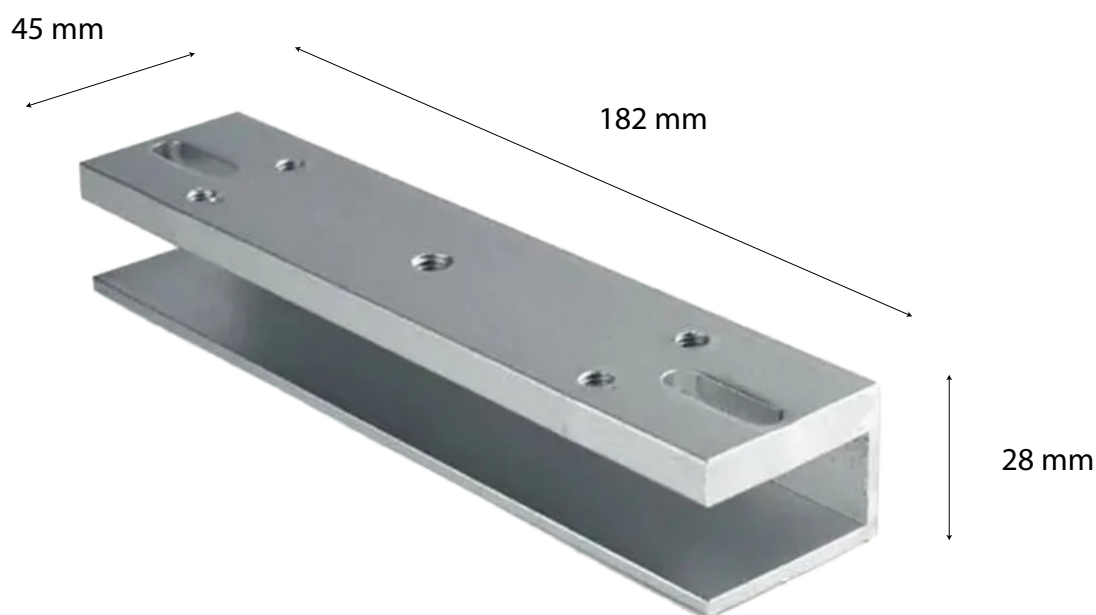
KEY FEATURES

- Specially Designed U-Bracket for 280 Kg Electromagnetic Locks
- Ideal for Frameless Glass Door Installations
- Constructed from High-Strength Aluminum for Durability
- Premium Sandblast Finish for a Sleek, Professional Look
- Ensures Secure and Stable Lock Mounting
- Perfect for Modern Glass Door Access Control Systems

PRODUCT PARAMETERS

Opening Mode	90 Degree Door
Feature	Fail Safe
Finished for Shell	Anodized Aluminum
Material	High Strength Aluminum, Sandblast Finished
Suitable For	Frameless Glass Door
Dimension	182 X 45 X 28 mm

DIMENSION



Get in Touch ▶

+44 2080 773081

info@thestoneuk.com

www.thestoneuk.com